

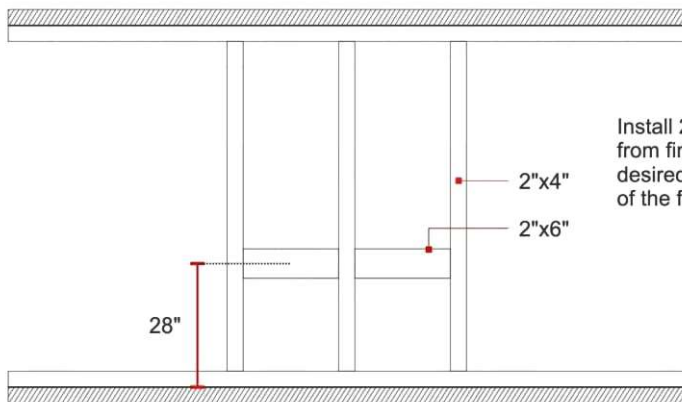
# How to Install a Wall-Hung Vanity

## INSTALLATION GUIDE

### Tools Required for Assembly

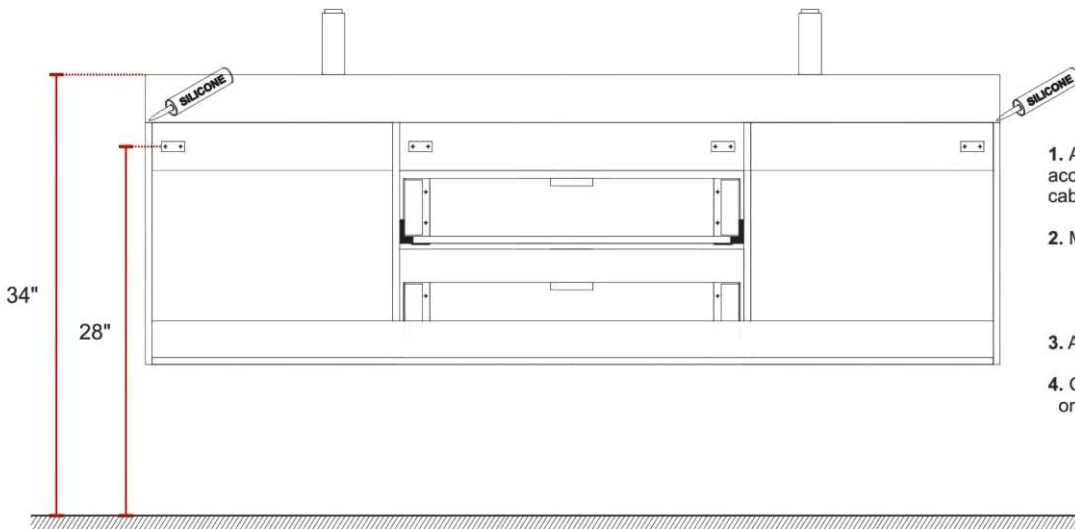


### Wall Preparation



Install 2"x6" lumber between the wall studs. Suggested distance from finished floor will be 28" to the center from the floor if the desired finished height of the Vanity is 34" from the floor to the top of the finished countertop.

### Vanity Installation



1. Align and level mounting Brackets according to horizontally reinforcement lumber and desired cabinet height.

2. Mount Vanity on to the wall brackets.

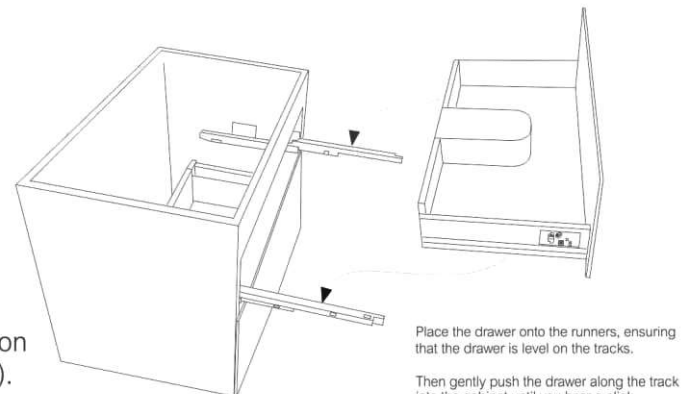
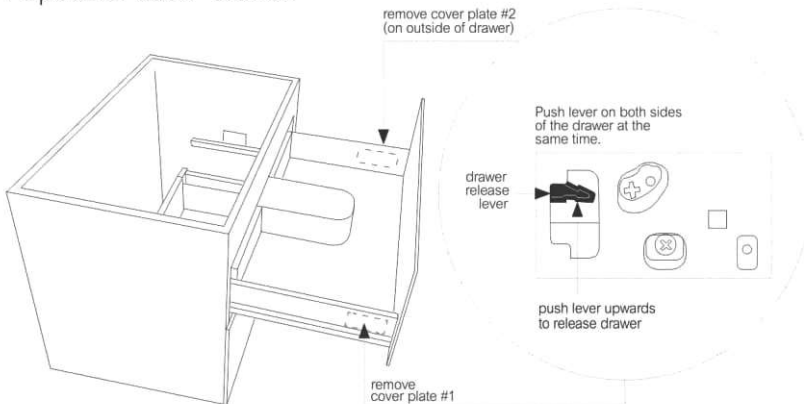
3. Add a dap of silicone to the corners of the Cabinet.

4. Gently position and align Counter top Sink onto Vanity.

## Vanity cabinet | removing+adjustment drawers

### To remove the drawer/s

- \* Extend the drawer
  - \* Each drawer has a **plastic cover plate** on each side of the drawer (#1 and #2)
  - \* **Remove both cover plates (#1 and #2)** to expose a small **drawer release lever** under each plate: see detail
  - \* To release and remove the drawer, simultaneously **push the drawer release levers upwards** (both sides at same time) and slide/lift the drawer away from the tracks.
- Repeat for each drawer.



### To replace the drawer/s

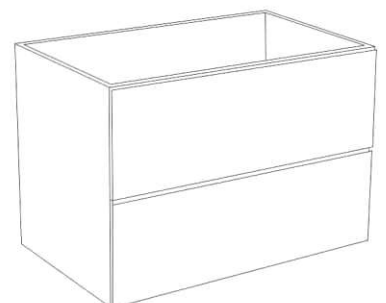
- \* Fully extend the drawer runner on each side of the cabinet.
- \* **Place the drawer onto the runners**, ensuring that the drawer is **level** on the tracks, and continue to hold in place (otherwise the drawer will fall).
- \* Keeping the drawer level, gently **push the drawer along the runners into the cabinet until you hear a click**. This indicates that the drawer is properly locked into place on the track.
- \* Once the drawer is back in place, replace the cover plates on the sides of the drawer.

### To adjust the drawer/s

- \* To move the drawer up or down, turn the **bottom screw** located under the cover plate on each side of the drawer.



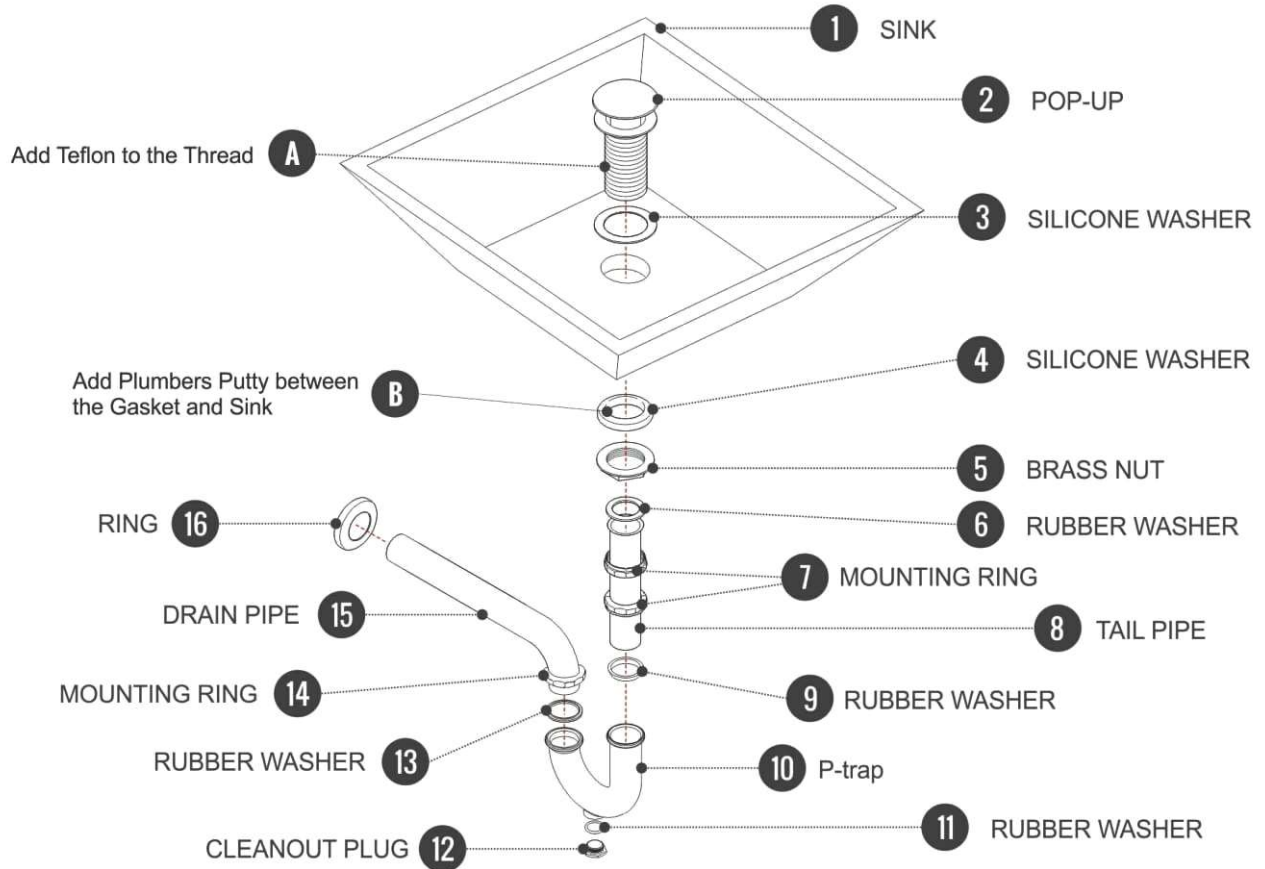
Turn this screw to move drawer up or down



These instructions show a vanity cabinet which has two drawers. However, the instructions apply to all cabinets and all sizes of the Vanity line. The characteristics and drawer mechanisms are the **same** for all units.

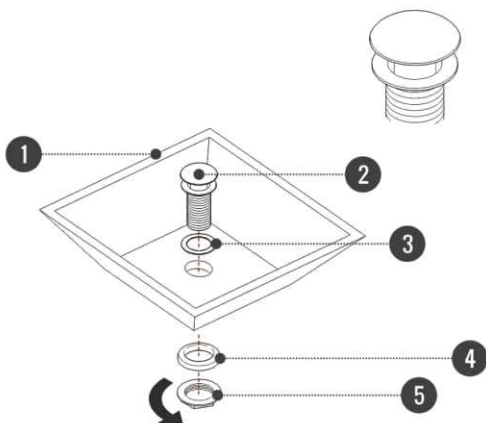
## Pop-Up / P-trap Installation Instructions

### INSTALLATION GUIDE



FOR SINKS WITHOUT OVERFLOW

FOR SINKS WITHOUT OVERFLOW



OR

